

**ADDENDUM NO 02**  
CITY OF FAIRHOPE

**Bid No. 012-15 Improvements to Stimpson Park Tennis Courts**

THE DOCUMENTS FOR THIS BID SHALL BE AMENDED, REVISED AND CHANGED IN THE FOLLOWING PARTICULARS:

**CORRECTION:**            **NEW** Opening date is FRIDAY August 28, 2015 at 9:00 A.M. CST  
NOT Friday August 14, 2015 at 10:00 A.M. CST

**CLARIFICATION** provided by Engineer of Record, Trey Jinright:

The Bid Packet, including the Invitation to Bid with Specifications, and Drawings for this Bid is now posted on the website for the City of Fairhope ([www.cofairhope.com](http://www.cofairhope.com)) for downloading. If, instead of downloading, a potential Bidder requests a paper copy of the documents, please notify JADE Consulting, LLC, at 251 928-3443 or [sruth@jadengineers.com](mailto:sruth@jadengineers.com). The paper documents are available at a non-refundable charge of \$150.00 per set.

If you are interested in submitting a Bid, and download your own documents, please contact JADE Consulting, as stated above, so we may make sure you receive any and all addenda.

**ANSWERS TO QUESTIONS** from potential Bidders provided by Engineer of Record, Trey Jinright:

**Question:** Do you have a model number for the pro series trench drain?  
**Answer:** Please See Attached

Bidders are to sign and include signed **Addendum No. 2** with submitted bid documents.

Acknowledged:

\_\_\_\_\_

Company

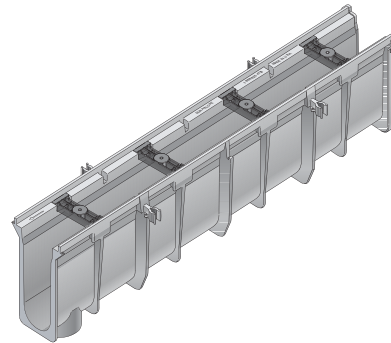
\_\_\_\_\_

By

Daniel P. Ames  
Purchasing Manager  
City of Fairhope  
Posted: 8/13/15

# DURA SLOPE™ CHANNEL DRAINS

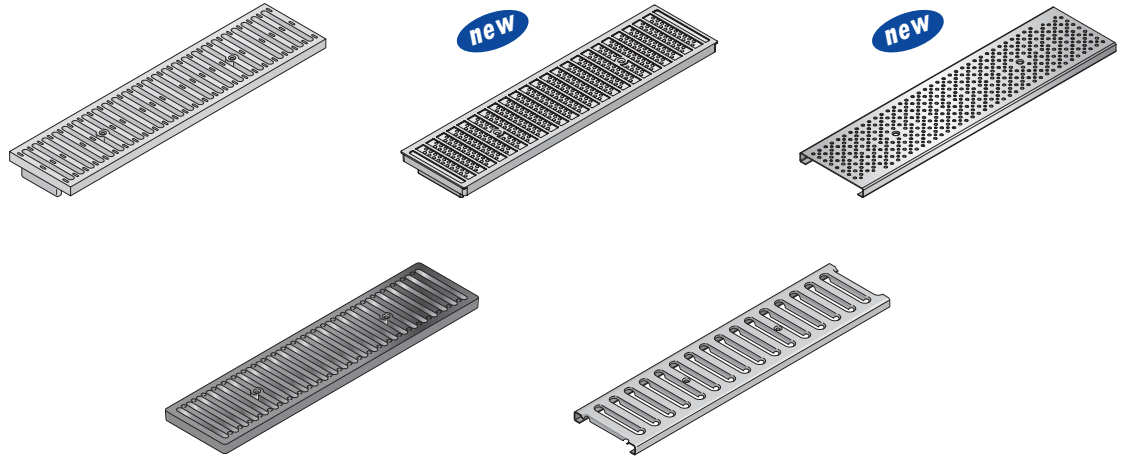
NDS Dura Slope™ is a 6<sup>5</sup>/<sub>8</sub>" wide, 4-foot-long trench drain system with a built-in slope of 0.7%. Each channel section is molded of gray structural foam polyethylene with UV inhibitors and has a 4" inside diameter with a 2" radius bottom. The system consists of 4-foot channel sections including 24 pre-sloped channel sections and 9 neutral channel sections. The sloped channel sections enable the system to extend to a length of 96 feet with a continuous slope.



Part No.	Description	Flow Rate GPM	Min. Inner Depth	Max. Inner Depth	Min. Outer Depth	Max. Outer Depth	Wt. Ea. (lbs.)
DS-090N	3.99" Deep Neutral Dura Slope Channel	75	3.998	3.998	5.354	5.760	7.45
DS-091	3.99" to 4.34" Deep Dura Slope Channel	75	3.998	3.998	5.690	5.770	7.52
DS-091N	4.34" Deep Neutral Dura Slope Channel	89	4.334	4.334	5.692	6.103	7.81
DS-092	4.34" to 4.67" Deep Dura Slope Channel	89	4.334	4.670	6.062	6.106	7.92
DS-093	4.67" to 5.00" Deep Dura Slope Channel	103	4.670	5.006	6.362	6.442	8.27
DS-094	5.00" to 5.34" Deep Dura Slope Channel	117	5.006	5.342	6.698	6.778	8.64
DS-094N	5.34" Deep Dura Slope Channel	131	5.342	5.342	6.700	7.111	8.93
DS-095	5.34" to 5.68" Deep Dura Slope Channel	131	5.342	5.678	7.034	7.114	8.99
DS-096	5.68" to 6.01" Deep Dura Slope Channel	145	5.678	6.014	7.370	7.450	9.36
DS-097	6.01" to 6.35" Deep Dura Slope Channel	159	6.014	6.350	7.706	7.786	9.74
DS-097N	6.35" Deep Neutral Dura Slope Channel	173	6.350	6.350	7.708	8.119	10.04
DS-098	6.35" to 6.69" Deep Dura Slope Channel	173	6.350	6.686	8.042	8.122	10.11
DS-099	6.69" to 7.02" Deep Dura Slope Channel	187	6.686	7.022	8.378	8.458	10.48
DS-100	7.02" to 7.36" Deep Dura Slope Channel	201	7.022	7.358	8.714	8.794	10.86
DS-100N	7.36" Deep Neutral Dura Slope Channel	215	7.358	7.358	8.716	9.127	11.16
DS-101	7.36" to 7.69" Deep Dura Slope Channel	215	7.358	7.694	9.050	9.130	11.23
DS-102	7.69" to 8.03" Deep Dura Slope Channel	229	7.694	8.030	9.386	9.466	11.60
DS-103	8.03" to 8.37" Deep Dura Slope Channel	243	8.030	8.366	9.722	9.802	11.98
DS-103N	8.37" Deep Neutral Dura Slope Channel	257	8.366	8.366	9.724	10.135	12.27
DS-104	8.37" to 8.70" Deep Dura Slope Channel	257	8.366	8.702	10.058	10.138	12.34
DS-105	8.70" to 9.04" Deep Dura Slope Channel	271	8.702	9.038	10.394	10.474	12.71
DS-106	9.04" to 9.37" Deep Dura Slope Channel	285	9.038	9.374	10.730	10.810	13.07
DS-106N	9.37" Deep Neutral Dura Slope Channel	299	9.374	9.374	10.732	11.143	13.39
DS-107	9.37" to 9.70" Deep Dura Slope Channel	299	9.374	9.710	11.066	11.146	13.4
DS-108	9.70" to 10.05" Deep Dura Slope Channel	313	9.710	10.046	11.402	11.482	13.83
DS-109	10.05" to 10.38" Deep Dura Slope Channel	327	10.046	10.382	11.738	11.818	14.20
DS-109N	10.38" Deep Neutral Dura Slope Channel	341	10.382	10.382	11.740	12.151	14.50
DS-110	10.38" to 10.71" Deep Dura Slope Channel	341	10.382	10.718	12.074	12.154	14.57
DS-111	10.71" to 11.05" Deep Dura Slope Channel	355	10.718	11.054	12.410	12.490	14.95
DS-112	11.05" to 11.39" Deep Dura Slope Channel	368	11.054	11.390	12.746	12.826	15.32
DS-112N	11.39" Deep Neutral Dura Slope Channel	382	11.390	11.390	12.785	13.158	15.6
DS-113	11.39" to 11.72" Deep Dura Slope Channel	382	11.390	11.726	13.082	13.162	15.69
DS-114	11.72" to 12.06" Deep Dura Slope Channel	396	11.726	12.062	13.418	13.498	16.06

Note: All dimensions are nominal. All weights are for shipping purposes only. Availability is subject to change.

# DURA SLOPE™ GRATES



Part No.	Description	Color	Pkg. Qty.	Wt. Ea. (lbs.)	Inflow Capacity (GPM)	Specifications
660	2 ft. Channel Grate	White	12	2.92	27	NDS #660, #661, #662, #663, #664, #665, 2 ft. Structural Foam Polyolefin secured channel grate with UV inhibitor. Open surface area of 20.61 square inches per foot. 27.00 GPM per foot.
661	2 ft. Channel Grate	Dark Gray	12	2.92	27	
661LG	2 ft. Channel Grate	Gray	12	2.92	27	
662	2 ft. Channel Grate	Green	12	2.92	27	
663	2 ft. Channel Grate	Black	12	2.92	27	
664	2 ft. Channel Grate	Sand	12	2.92	27	
665	2 ft. Channel Grate	Brick Red	12	2.92	27	
DS-670	2 ft. Plastic Perforated Channel Grate	Gray	12	3.0	11.3	NDS #DS-670, 2' Structural Foam Polyolefin, secured channel grate with UV inhibitors; light traffic rated, heel-proof, ADA compliant. Open surface area of 9.36 square inches per foot; 12.2 GPM per foot.
DS-226	2 ft. Stainless Steel Perforated Channel Grate	Steel	12	3.22	9.6	NDS #DS-226, Stainless Steel grate, light traffic rated, heel-proof, ADA compliant. Open surface area of 7.92 square inches per foot; 10.4 GPM per foot.
DS-228	2 ft. Galvanized Steel Perforated Channel Grate	Steel	12	3.22	9.6	
DS-231	2 ft. Cast Iron Channel Grate	Black	1	15.00	22.6	#DS-231 2 ft. Heavy Duty Cast Iron Channel Grate.
DS-232	2 ft. Ductile Iron Channel Grate	Black	1	16.00	22.6	NDS #DS-232, 2 ft. Heavy Duty Ductile Iron Channel Grate. Open surface area of 15.27 square inches per foot; 20.00 GPM per foot. H-20 Load Rating.
DS-221	2 ft. Galvanized Steel Channel Grate	Steel	12	4.00	31.4	NDS #DS-221, 2 ft. Galvanized Rolled Steel Grate. Open surface area of 19.85 square inches per foot; 26.00 GPM per foot.

ADA Compliant

Use with Dura Slope Drains and Dura Slope Catch Basins