

**CITY OF FAIRHOPE
REQUEST FOR QUOTATIONS
COVER SHEET**

The following Request for Quotation is related to damages caused by Hurricane Sally
(FEMA 4563) on or about September 15, 2020.

**RFQ 013-21 N. Beach Pavilion Repair and Replacement of Asphalt Shingle
Roof**

Date Issued: May 5, 2021

Deadline to Submit: **Tuesday, May 25, 2021, 1:00 p.m.**

Direct all Questions To: Dee Dee Brandt, Purchasing Manager
DeeDee.Brandt@fairhopeal.gov

Submitted Quotes Should Include: Authorized signatures including notaries
Completed Quote Response form
If issued, signed addenda
Completed Contractor Information sheet
Anti-Lobbying Certification
Other supporting documentation as requested

Deliver Quotes To: Public Works Building
555 S. Section Street
Fairhope, AL 36532

Email Quotes To: Dee Dee Brandt, Purchasing Manager
DeeDee.Brandt@fairhopeal.gov

For emailed quotes, please reference the RFQ number and name in the subject line.

QUOTE FORM AND SPECIFICATIONS

RFQ 013-21 N. Beach Pavilion Repair and Replacement of Asphalt Shingle Roof

Public Works Department

City of Fairhope, AL

Sherry Sullivan, Mayor

Jack Burrell, Council President

Set No. _____

ADVERTISEMENT

QUOTES will be received by the City of Fairhope in Baldwin County, Alabama, in the City of Fairhope offices, 555 South Section St. Fairhope, Alabama, until **Tuesday, May 25, 2021, at 1:00 p.m.** and then publicly opened thereafter, for furnishing all labor and materials, and performing all work required by the City of Fairhope and described as follows:

RFQ 013-21 N. Beach Pavilion Repair and Replacement of Asphalt Shingle Roof

The City of Fairhope is requesting responses to repair and replace the composite asphalt shingle roof on the Picnic Pavilion at North Beach Park, located at 1 Beach Drive, Fairhope, Alabama.

RFQ documents may be obtained on the City of Fairhope website at www.fairhopeal.gov or by e-mailing: Dee Dee Brandt, Purchasing Manager at DeeDee.Brandt@fairhopeal.gov. Specifications are on file and may be seen in the Purchasing Department of the City of Fairhope, Alabama, 555 S. Section Street.

Questions or comments pertaining to this must be presented in writing as e-mail to the attention of the Purchasing Manager, Dee Dee Brandt, DeeDee.Brandt@fairhopeal.gov, Seventy-Two (72) hours prior to the Quote opening or will be forever waived.

All Quotes must be on the Quote forms provided in the Quote Documents. Quotes will be received by email addressed to: DeeDee.Brandt@fairhopeal.gov or can be delivered to Dee Dee Brandt, Purchasing Manager, at the Public Works Building located at 555 S. Section St., Fairhope, AL, by 1:00 p.m., May 25, 2021. Note: THE BID BOND IS WAIVED FOR THIS RFQ.

The City of Fairhope is an Equal Opportunity Employer and requires that all **CONTRACTORS** comply with the Equal Employment Opportunity laws and the provisions of the **CONTRACT** Documents in this regard. The **CITY** also encourages and supports the utilization of Minority Business Enterprises on this and all public Quotes. Failure to observe the instructions contained herein will constitute grounds for rejection of your Quote. The City reserves the right to accept or reject all Quotes or any portion thereof, and to waive informalities and to furnish any item of material or work to change the amount of the **CONTRACT**, whichever is in the best interest of the City of Fairhope.

The **CONTRACTOR** must furnish to the City of Fairhope at the time of the signing of the CONTRACT a certificate of insurance coverage as provided in the **CONTRACT** documents which will include comprehensive insurance, **CONTRACTOR** Automobile Liability Insurance, and where applicable, **CITY'S** Protective Liability insurance, **SUB- CONTRACTOR'S** public liability and property damage insurance. The company that is awarded the Quote must have Workman's Compensation Insurance on all of its employees if work is to be performed on City of Fairhope premises. General Liability Insurance, specifying coverage, must be maintained to hold the City of Fairhope harmless in the event of an accident. See Quote packet for details.

No Quotes will be considered unless the **CONTRACTOR**, whether resident or non-resident of Alabama, is properly qualified to submit a proposal for this type of work in accordance with all applicable laws of the State of Alabama. Where applicable, this shall include evidence of holding a current license from the State Licensing board for General Contractors, Montgomery, Alabama, as required by Chapter 8 of Title 34, of the Code of Alabama, 1975.

In addition, the Awarded Vendor, if non-resident of the State, and if a corporation, shall show evidence of having qualified with the Secretary of State to do business in the State of Alabama. For more information, or to register, go to the following website for the State of Alabama: <http://sos.alabama.gov/business-entities>. **CONTRACTOR** must have a current business license or purchase a business license with the City of Fairhope prior to work performed. No Quotes shall be withdrawn for the period of thirty (30) days after the opening of proposals without the consent of the City of Fairhope, Baldwin County, Alabama. Once completed, a tabulation of the responsive and responsible Quotes will be available for public viewing.

INSTRUCTIONS TO BIDDERS

- 2.00 RFQ INVITATION
Notice is hereby given that the City of Fairhope will receive Quotes on the work described herein. Qualified quoters are invited to submit quotations on this contract.
- 2.01 **RFQ 013-21 N. Beach Pavilion Repair and Replacement of Asphalt Shingle Roof**
- 2.03 QUOTATION DEADLINE
Quotes will be received **by email** to DeeDee.Brandt@fairhopeal.gov until **1:00 p.m. local time, Tuesday, May 25, 2021**, or may be delivered to Dee Dee Brandt, Purchasing Manager, at the City of Fairhope offices located at 555 S. Section Street, Fairhope, Alabama, by the designated time above.
- 2.04 AVAILABILITY OF DOCUMENTS
Prior to RFQ opening, Quote packets may be obtained on the City of Fairhope website at www.fairhopeal.gov or requested by email from Dee Dee Brandt, Purchasing Manager, at DeeDee.Brandt@fairhopeal.gov. Specifications are on file and may be seen in the Purchasing Department of the City of Fairhope, Alabama, 555 S. Section Street, between 7:00 A.M. and 4:00 P.M. local time. One set of Quote Documents can be obtained free of charge.
- 2.05 INQUIRIES
Questions or comments pertaining to this Quote must be presented in writing, and sent as e-mail to the attention of the Purchasing Manager, Dee Dee Brandt at DeeDee.Brandt@fairhopeal.gov no less than Seventy-Two (72) hours prior to the Quote opening or will be forever waived.
- 2.06 **SITE EXAMINATION / CITY PROVISION / NON-RESIDENT STATE RECIPROCITY**

The City of Fairhope will not furnish any labor, material or supplies unless specifically stated in the Contract documents. CONTRACTOR must be properly licensed to perform the work as outlined in the Scope of Work. **Quoter must have a current business license or purchase a business license with the City of Fairhope prior to or (upon) Quote being awarded.** Where required by State law, State of Alabama CONTRACTOR's license is required.

Except for Contracts funded in whole or in part by funds received from a federal agency, preference shall be given to resident CONTRACTORS on the same basis as the non-resident Quoter's state awards contracts to Alabama CONTRACTORS bidding under similar circumstances. Therefore, non-resident Quoters shall submit with their Quote a written opinion of an attorney at law licensed to practice law in the non-residents bidder's state of domicile as to preferences granted by the state to entities doing business in that state when letting public contracts.
- 2.07 RFQ SECURITY
The bid bond for this RFQ has been waived.
- 2.08 PERFORMANCE ASSURANCE AND INSURANCE
The vendor to whom award is made shall provide a **Performance Bond** equal to 100% of the Contract Amount.

The Awarded Vendor shall also provide insurance as required in section titled ITEM VII INSURANCE. City of Fairhope as additional insured.
- 2.09 DURATION OF OFFER
Quotes may be withdrawn by written or telegraphic request received from the Quoter prior to the time fixed for opening. No Quote shall be withdrawn for a period of THIRTY (30) days subsequent to the opening of Quote without the consent of the City Council of the City of Fairhope.

- 2.10 EQUAL OPPORTUNITY
The City of Fairhope is an Equal Opportunity Employer and requires that all CONTRACTORS comply with the Equal Employment Opportunity Laws and the provisions of the Contract documents in this regard. The City also encourages and supports the utilization of Minority Business Enterprises on this and all public Quotes.
- 2.11 QUOTE SUBMISSION AND PREPARATION
Submit quotes by email addressed to: DeeDee.Brandt@fairhopeal.gov or delivered to Dee Dee Brandt Purchasing Manager, at the City Services Building located at 555 S. Section St., Fairhope, AL, by the date and time listed on the Quote Cover Sheet.
- 2.11.1 Forms furnished, or copies thereof, shall be used, and strict compliance with the requirements of the Invitation, these instructions, and the instructions printed on the forms is necessary. Special care should be exercised in the preparation of Quotes. Bidders must make their own estimates of the facilities and difficulties attending the performance of the proposed contract, including local conditions, uncertainty of weather, and all other contingencies. All designations and prices shall be fully and clearly set forth. The proper space in the Quote forms shall be suitable filled in.
- 2.11.2 Fill in all blanks on the Quote Form with non-erasable ink or type. Erasers or other changes must be explained or noted over the signature of the Quoter.
- 2.11.3 The Quote Form may have a Contingency Allowance listed. Add this amount to the Quote Base to derive the Total Quote. The Contingency Allowance covers unforeseen conditions and shall not be used by the CONTRACTOR without the written authorization of the Owner. At the conclusion of the project, the unused portion of the Contingency Allowance shall revert to the Owner. **Note: Not applicable to this RFQ.**
- 2.11.4 Each Quote must give the full business address of the bidder and must be signed by him with his usual signature. Quotes by partnerships must furnish the full names of all names of all partners and must be signed with the partnership name by one of the members of the partnership, or by an authorized representative, followed by the signature and designation of the person signing. Quotes by corporations must be signed with the partnership name by one of the members of the partnership, or by an authorized representative, followed by the signature and designation of the person signing. Quotes by corporations must be signed with the legal name of the corporation followed by the name of the State of Incorporation and by the signature and designation of the president, secretary, or other person authorized to bind it in the matter. The name of each person who affixes to this signature the word "president", "secretary", "agent", or other designation without disclosing his principal, may be held to be the Quote of the individual signing. When requested by the City of Fairhope, satisfactory evidence of the authority of the officer signing in behalf of the corporation shall be furnished.
- 2.11.5 Each project will be Quoted separately unless otherwise expressly requested in the contract document. Combination Quotes, that is, Quotes on separate projects lumped together as a single Quote or on all or none basis, will not be accepted unless the contract document expressly requests or permits same. Alternate Quotes will not be considered unless requested. Bidders are to provide with their Quote, a reference list to include name/address/phone number.
- 2.12 QUOTE INELIGIBILITY
Quotes that contain irregularities of any kind may be declared unacceptable at the discretion of the Owner. The Owner may waive any minor irregularities and may reject any or all Quotes. Quotes received after the deadline will be returned to the bidder unopened.
- 2.13 CONTRACT TIME
The CONTRACTOR agrees to perform the work within the time stated in the Quotation Response Form. The bidder in submitting an offer accepts the conditions of the contract period stated for performing the work.
- 2.14 CONSTRUCTION DOCUMENT IDENTIFICATION
The Construction documents are the Quote Packet, Drawings, Addenda, and all other related documents bearing the Project Title and Number. Bidders shall use complete sets of Construction

Documents in preparing their Bids. The City will not assume responsibility for errors or misinterpretation resulting from the use of incomplete sets of Construction Documents.

2.15 INQUIRIES/ADDENDA

Questions or comments pertaining to this Quote must be presented in writing, sent as e-mail to the attention of the Purchasing Manager, Dee Dee Brandt at DeeDee.Brandt@fairhopeal.gov, Seventy-Two (72) hours prior to the Quote opening or will be forever waived.

2.15.1

All Addenda are part of the Contract Documents. Include resultant costs in the Quote. Addenda will be issued by posting to the City of Fairhope website, www.fairhopeal.gov and posted on the City's bulletin board at 555 South Section St., Fairhope, AL. **It is the responsibility of the bidder to obtain any addenda and verify that all addenda have been received.**

2.16 QUOTE ACCEPTANCE

Quote with lowest Total Quote amount from a responsive and responsible bidder may be accepted if within the contract budget. If alternates are listed on the Quote Form, the lowest combination of Total Quote and Alternate Quotes accepted by the owner shall be the accepted Quote. Alternates shall be awarded in the order in which they are listed on the Quote Form.

2.17 BIDDERS INTERESTED IN MORE THAN ONE QUOTE

If more than one Quote is offered by any one party, by or in a name of his clerk, partner, corporation in which he has a substantial interest, or in which he is an officer, or other person, all such Quotes may be rejected. A party who has quoted prices on materials to a Quote is not thereby disqualified from quoting prices to other bidders or from submitting a Quote directly for the materials or work. The City reserves the right to determine in its discretion whether the provisions of this clause have been violated by any bidder.

2.18 ERRORS IN QUOTES

Bidders or their authorized agents are expected to examine the maps, drawings, specifications, and all other instructions pertaining to the work, which will be open to their inspection. Failure to do so will be at the bidder's own risk. In case of error, in the extension of prices the unit price will govern.

2.19 CONTRACT AND BOND

The bidder to whom award is made must, when requested, enter into written contract on the standard form as set out herein, with satisfactory security in the amount required, within the period specified, or, if no period be specified, within 15 days after the required forms are presented for signature.

2.20 COLLUSION

If there is any reason for believing that collusion exists among the Bidders, any or all Quotes may be rejected, and those participating in such collusion may be barred from submitting Quotes on the same or other work with the City.

2.21 SUBLETTING OR ASSIGNING OF CONTRACT

Limitations: The CONTRACTOR shall not sublet, assign, transfer, convey, sell or otherwise dispose of any portions of the contract, his right, title, or interest therein, or his power to execute such contract, to any person, firm or corporation without written consent of the City, and such written consent shall not be construed to relieve the CONTRACTOR of any responsibility for the fulfillment of the contract. Unless otherwise stipulated in the proposal or special provisions, the CONTRACTOR shall perform with his own organization, and with the assistance of workmen under his immediate superintendence and reported on his payroll, all contract work of a value not less than 50 percent of the total contract amount, except that any items designated in the contract as "Specialty Items" so performed by sub-contract may be deducted from the total contract amount before computing the amount of work required to be performed by the CONTRACTOR with his own organization.

2.21.1

SUB-CONTRACTOR'S Status: A SUB-CONTRACTOR shall be recognized only in the capacity of an employee or agent of the CONTRACTOR and the CONTRACTOR will be responsible to the City for all of the Sub-CONTRACTOR'S work, including failures or omissions; and his removal

may be required by the Project Manager, as in the case of an employee.

2.22 PROSECUTION OF WORK

The CONTRACTOR shall commence work as otherwise directed in writing per specifications.

2.22.1 The CONTRACTOR shall prosecute the work continuously and diligently in the order and manner set out in his schedule as approved by the City. He shall provide sufficient satisfactory materials, labor, and equipment to ensure that the work will be completed in a satisfactory manner within the time specified in the contract.

2.22.2 Should the CONTRACTOR fail to maintain a satisfactory rate of progress, the City may require that additional forces and/or equipment be placed on the work to bring the project up to schedule and maintain it at that level.

2.22.3 Should the Contractor fail to furnish sufficient satisfactory equipment and/or labor for maintaining the quality and progress of the work at satisfactory level, the City may withhold all estimates that may become due until satisfactory quality and progress are maintained; or the contract may be annulled.

EXCEPTIONS/ CHANGES

1. Compliance with or variations from the specifications must be noted as to each item on the Specification Sheet. This requirement must be met even though the Purchasing Manager may alter the specifications in the form of an addendum to accommodate variances. A request for a change in the specifications to accommodate a variation must be called to the attention of the Purchasing department at least 72 hours before the Quote opening date. All requests for such changes will be considered and the merits weighed. Only those changes in specifications deemed to be in the best interest of the City will be made. In the event of a change in specifications, an addendum will be supplied to bidders. Exceptions may be accepted if they are minor, equal, or superior to that which is specified, and provided that they are listed and fully explained on a separate page entitled, "Exceptions to Specifications". The exceptions shall refer to the specification page and paragraph number. The City shall determine which (if any) exceptions are acceptable and this determination shall be final.

INSURANCE REQUIREMENTS

4.0 INSURANCE REQUIREMENTS

Awarded Contractor, at its sole expense, shall obtain and maintain in full force the following insurance to protect the Contractor and the City of Fairhope at limits and coverages specified herein. The City of Fairhope will be listed as an additional insured under the Contractor's General Liability insurance and automobile liability insurance policies, and all other applicable policies and certificates of insurance. These limits and coverages specified are the minimum to be maintained and are not intended to represent the correct insurance needed to fully and adequately protect the awarded Bidder.

4.01 All insurance will be provided by insurers by admitted carriers in the State of Alabama, shall have a minimum A.M. Best rating of A-VII and must be acceptable to the CITY. Self-insured plans and/or group funds not having an A.M. Best rating must be submitted to the CITY for prior approval.

4.02 NO WORK IS TO BE PERFORMED UNTIL PROOF OF COMPLIANCE WITH THE INSURANCE REQUIREMENTS HAS BEEN RECEIVED BY THE CITY.

4.03 Worker's Compensation and Employer's Liability

Part One: Statutory Benefits as required by the State of Alabama		
Part Two: Employer's Liability	\$1,000,000	each accident
	\$1,000,000	each employee
	\$1,000,000	Policy Limit

4.04 U.S. Longshoreman & Harbor Workers Act (USL&H)

Required if contract involves work near a navigable waterway that may be subject to the USL&H law.

4.05 Maritime Endorsement (Jones Act)

Endorsement required if contract involves the use of a Vessel. Or include coverage for "Master or Member or Crew" under "Protection and Indemnity" coverage (P&I) unless crew is covered under Workers Compensation.

Bodily injury by accident	\$1,000,000	each accident
Bodily injury by disease	\$1,000,000	aggregate

4.06 Commercial General Liability

Coverage on an Occurrence from with a combined single limit of (Bodily Injury and Property Damage combined as follows:

Each occurrence	\$1,000,000
Personal and Advertising Injury	\$1,000,000
Products/Completed Operation Aggregate	\$2,000,000
General Aggregate	\$2,000,000

Coverage to include:

- Premises and operations
- Personal injury and Advertising Injury
- Products/completed operations
- Independent Contractors
- Blanket Contractual Liability
- Explosion, Collapse and Underground hazards
- Broad Form Property Damage
- Railroad Protective Liability Insurance if work involves construction, demolition, or maintenance operations on or within 50 feet of a railroad.

4.07 Automobile Liability

Covering all owned, non-owned and hired vehicles with a limit of no less than \$1,000,000 combined single limit of Bodily injury and property damage per occurrence.

4.08 Certificates of Insurance

A Certificate of Insurance evidencing the above minimum requirements must be provided to and accepted by the CITY PRIOR to commencement of any work on the contract. Each policy shall be endorsed to provide ten (10) days written notice of cancellation to the CITY.

- 4.08.1** The Contractor shall require certificates of insurance from sub-Contractors. Sub-Contractors will carry limits of insurance equal to or greater than those carried by the Contractor. These certificates shall evidence waivers of subrogation in favor of the Contractor and the CITY, and shall be made available to the CITY upon request.

SCOPE OF WORK AND SPECIFICATIONS

GENERAL SCOPE

5.01 **The Awarded Vendor to provide the following equipment per Specifications:**

5.01.1 **REPAIR and REPLACEMENT OF EXISTING ROOF BID/QUOTE:**

The City of Fairhope is requesting responses to repair and replace the composite asphalt shingle roof on the Picnic Pavilion at North Beach Park located at 1 Beach Drive; Fairhope, Alabama. During Hurricane Sally, September 16, 2020, this hipped and gabled roof system was damaged beyond repair. The respondent shall submit a lump sum price to completely repair and replace the roof to current code standards. The lump sum price should include all material, equipment, tools, labor, and incidentals to deliver a complete "turnkey" replaced roof system.

GENERAL SPECIFICATIONS

5.02.1 Work shall include, but not be limited to the following:

- Remove Existing Shingles and Felt to Decking
- Inspect, Remove and Replace any Bad Decking as needed
- Re-nail decking per code (See Attached)
- Install Deck Tape on Plywood Laps per code (wind and water shield)
- Install New Underlayment per code (wind and water shield)
- Install New drip edge, eve/valley metal Trim Package (as applicable)
- Install new GAF Timberline 30-year shingles (or equivalent) – owner to select color
- Install new Ridge Vent, Ridge Cap, Wall Flashings and Pipe (vent) Boots (as applicable)
- Clean, Haul and Dispose of all job-related debris
- Provide Limited Lifetime Warranty on Shingles
- **Provide written 2-year workmanship warranty**
- This project is not located in the City of Fairhope Fire District

5.02.2 Critical Timelines

- 15-day Notice to Proceed
- 21 Calendar Days allowed for work (no exceptions for holidays)

5.02.3 General Notes

1. Contractor will be required to be Licensed, Bonded, and Insured. Documents will be required at time of bid/quote acceptance and issuance of purchase order.
2. Work must be completed 21 calendar days from the end of "Notice to Proceed" period.
3. Enclosed scope of work, descriptions, quantities, etc. are "good faith" estimates only. Prior to submitting quotations contractor should field measure and verify all quantities.
4. Quotes will be treated and considered as "lump sum" bids for all described work.
5. Only one pay request will be accepted and processed upon final acceptance of work.
6. Job quoted are subject to the GENERAL CONDITIONS, SPECIAL PROVISIONS and SUPPLEMENTAL SPECIFICATIONS as attached.
7. Questions, inquiries and requests for clarification should be directed to Richard D. Johnson, PE; Director of Public Works: Phone - (251) 928-8003; or by Email richard.johnson@fairhopeal.gov

8. Quotes must be received by **1:00 PM - Tuesday, May 25, 2021**, at the Purchasing Department; 555 South Section Street; Fairhope, AL 36532

5.02.4 Vendor Compliance

Items quoted must comply with all specifications listed.

The Specifications are intended and provided solely as a general and non-exhaustive expression of the intent and purpose of the City of Fairhope regarding this bid; said specifications should be so considered by the bidders. The use of specific names is not intended to restrict the bidder, or any seller, or manufacturer, but is solely for the purpose of indicating the type, size and quality of materials, product services, or equipment best suited for the City of Fairhope. Accordingly, the bidder admits and agrees that said specifications are not complete in every detail and that the work and materials not indicated or expressly mentioned in said specifications, but which are reasonably necessary for the full and faithful performance of the item(s) bid in accordance with the full and faithful intent, will be included in the bid and incorporated in the work by the bidder and at the bidder's sole expense, the same as if indicated and specified.

Additional Specifications

1. All work to be done in a neat and professional manner.
2. All applicable licenses, including a City of Fairhope business license, and necessary **permits** to be acquired by **CONTRACTOR**. **The permit fees for this project are waived for the Contractor.**
3. **CONTRACTOR** to provide all necessary services and materials unless stated otherwise above.
4. **CONTRACTOR** to comply with all applicable laws, codes, and regulations, including safety, fire, health, environmental and insurance. **CONTRACTOR** will perform all work in compliance with meeting or exceeding Manufacturer's and industry standards.
5. **CONTRACTOR** to cleanup job site and remove all waste and non-salvageable material in accordance with applicable laws, codes and regulations.
6. The **CONTRACTOR** will be responsible for all minor facilities and equipment damages (e.g., paint, drywall, etc.) caused by the **CONTRACTOR** resulting from negligence during the execution of this contract. This includes but is not limited to damage too small to be covered by the **CONTRACTOR'S** insurance.
7. Written change proposals shall be provided to the project manager by the **CONTRACTOR** for any requested modification to the plans, specifications or other contract requirements. The proposal shall include add-on or deduct costs, if any. The project manager will return an approved change order prior to any change implementation.
8. All salvageable material remains property of the City of Fairhope, and to be delivered by **CONTRACTOR** to the City of Fairhope Warehouse, 555 South Section Street, Fairhope, Al.

****See attachment of Drawings, Pictures and Additional Specifications**

**END OF SCOPE AND
SPECIFICATIONS**

CITY OF FAIRHOPE
RFQ RESPONSE FORM

DATE: ____/____/____

RFQ 013-21 N. Beach Pavilion-- Repair and Replacement of Asphalt Shingle Roof

Base bid will include all labor, materials, equipment, shipping, overhead, profit, bonds, insurance and all other costs necessary to provide the complete services outlined within the Contract and Scope of Work.

We propose to meet or exceed the above specifications at: (see Scope of Work and Specifications)

New Asphalt Shingle Roof Repair
and & Replacement Lump Sum Bid: \$ _____

OR

Additive Alternate Lump Sum Bid
New 26-gauge Classic Rib Metal
Roof – Galvalume (or Equivalent)
Installed Per Current Building Code \$ _____

Addenda No: _____

Each bid must give the full business address of the bidder and must be signed by him with his usual signature. Bids by partnerships must furnish the full names of all partners and must be signed with the partnership name by one of the members of the partnership, or by an authorized representative, followed by the signature and designation of the person signing. Bids by corporations must be signed with the legal name of the corporation followed by the name of the State of Incorporation and by the signature and designation of the president, secretary, or other person authorized to bind it in the matter. The name of each person shall also be typed or printed below the signature. A bid by a person who affixes to this signature the word "president," "secretary," "agent," or other designation without disclosing his principal, may be held to be the bid of the individual signing. When requested by the City of Fairhope, Baldwin County, Alabama, satisfactory evidence of the authority of the officer signing in behalf of the corporation shall be furnished.

The undersigned agrees to furnish the goods/services as requested by you for the City of Fairhope, Baldwin County, Alabama in your invitation to bid, and certifies that they will meet or exceed the specifications called for. The undersigned has read all information pertaining to this bid and has resolved all questions. It is also understood and agreed that all prices quoted are F.O.B. described in the bid documents and specifications. The undersigned also affirms he/she has not been in any agreement or collusion among bidders or prospective bidders in restraint of freedom of competition, by agreement to bid at a fixed price or to refrain from bidding or otherwise.

Witness our hands this ____ day of _____, 2021.

Corporation or LLC

Company _____ State of Incorporation _____

Company Representative _____
(Print Name of Representative Authorized to sign Quotations and Contracts for the firm)

Company Representative _____
(Signature of Representative Authorized to sign Quotations and Contracts for the firm)

Address _____

Phone Number _____ Fax Number _____

Primary e-mail address _____

Alabama Contractor's License No. _____ Alabama Foreign Corporation _____

NOTARY FOR CORPORATION, PARTNERSHIP OR JOINT VENTURE

STATE OF _____ }

COUNTY OF _____ }

I the undersigned authority in and for the said State and County, hereby certify that _____

_____ as _____
Print name of Bid signer Title

of _____
Print Company Name

whose name(s) is signed to the foregoing document and who is known to me, acknowledged before me on this day, that, being informed of the contents of the document they executed the same voluntarily on the day the same bears date.

Given under my hand and Notary Seal on this _____ day of _____, 2021.

Notary Public _____

My Commission Expires _____

END OF REQ RESPONSE
FORM

CONTRACTOR INFORMATION

This Section must be printed, completed, and turned in with your bid response

RFQ 013-21 N. Beach Pavilion-- Repair and Replacement of Asphalt Shingle Roof

Business Organization

Name of Quoter (exactly as it appears on W-9):

Principal Office Address:

Telephone Number: _____

Fax Number: _____

Email address: _____

Website: _____

Form of Business Entity [check one ("X")]

Corporation _____

Partnership _____

Individual _____

Joint Venture _____

Other (describe): _____

Corporation Statement

If a corporation, answer the following:

Date of incorporation: _____

Location of incorporation: _____

The corporation is held: Publicly ___
Privately ___

Partnership Statement

If a partnership, answer the following:

Date of organization: _____

Location of organization: _____

The partnership is: General ___
Limited ___

Joint Venture Statement

If a Joint Venture, answer the following:

Date of organization: _____

Location of organization: _____

JV Agreement recorded? Yes ___
No ___

Contact _____ Email _____

Mailing address _____

Phone _____

END OF CONTRACTOR INFORMATION SECTION

CITY OF FAIRHOPE, ALABAMA STANDARD TERMS AND CONDITIONS

1. ACCEPTANCE OF AGREEMENT

This Agreement contains all terms and conditions agreed upon by the OWNER and Winning bidder. No other agreement, oral or otherwise, regarding the subject matter of this Agreement shall be deemed to exist or to bind either party hereto. The Winning Bidder shall not employ Subcontractors without the express written permission of the OWNER. No waiver, alteration, consent or modification of any of the provisions of the Agreement shall be binding unless in writing and signed by the OWNER and CONTRACTOR. This Agreement shall not be construed against the party or parties preparing it. It shall be construed as if all the parties and each of them jointly prepared this Agreement, and any uncertainty or ambiguity shall not be interpreted against one or more parties.

2. ACCEPTANCE OF WORK

The City of Fairhope will be deemed to have accepted the Work after the City of Fairhope agrees the Work is completed by signature on delivery or service tickets. In the event Work furnished under the Contract / Agreement / Purchase Order is found to be defective or does not conform to the intent of the Contract / Agreement / Purchase Order, the awarded vendor shall, after receipt of notice from the City of Fairhope, correct the deficiencies. Failure on the part of the awarded vendor to properly correct the deficiencies within the time period allowed will constitute the City of Fairhope's right to cancel the Contract / Agreement / Purchase Order immediately, upon written notice to the awarded vendor.

3. ADDENDA

All Addenda are part of the Contract Documents. Include resultant costs in the Bid. Addenda will be issued by email to all Bidders on record, and posted to the City of Fairhope website www.fairhopeal.gov. It is the responsibility of the bidder to verify that all addenda have been received, and to include all signed addenda in the bid submission

4. ADDITIONAL ORDERS

Unless it is specifically stated to the contrary in the bid response, the City of Fairhope reserves the option to place additional orders against a contract awarded as a result of this solicitation at the same terms and conditions; to extend the renewal date until a new bid is in place, if it is mutually agreeable.

5. APPLICABLE LAW

This Agreement is deemed to be under and shall be governed by and construed according to the laws of the State of Alabama. Any litigation arising out of the Agreement shall be heard in the Courts of Baldwin County, Alabama.

6. ASSIGNMENT

The awarded vendor shall not assign the Contract/Agreement/ Purchase Order or sublet it as a whole without the express written permission of the City of Fairhope. The awarded vendor shall not assign any payment due them hereunder, without the express written permission of City of Fairhope. The City of

Fairhope may assign the Contract / Agreement / Purchase Order, or sublet it as a whole, without the consent of the awarded vendor.

7. ASSURANCE OF NON-CONVICTION OF BRIBERY The bidder hereby declares and affirms that, to its best knowledge, none of its officers, directors, or partners and none of its employees directly involved in obtaining contracts has been convicted of bribery, attempted bribery or conspiracy to bribe under the laws of any state or Federal government.

8. AWARD CONSIDERATION

The following factors will be considered in determining the lowest **responsible** bidder: Overall quality, Conformity with specifications both general and specific, Purposes for which materials or services are required, Delivery dates and time required for delivery, Unit acquisition cost, financial ability to meet the contract, previous performance, facilities and equipment, availability of repair parts, experience, delivery promise, terms of payments, compatibility as required, other costs, and other objective and accountable factors which are reasonable.

9. AWARD OR REJECTION OF BIDS

The Bid will be awarded to the lowest responsible bidder complying with conditions of the invitation for bids, provided his bid is reasonable and it is in the interest of the City of Fairhope to accept it. The bidder to whom the award is made will be notified at the earliest possible date. The City of Fairhope, however, reserves the right to reject any and all bids and to waive any informality in bids received whenever such rejection or waiver is in the interest to the City of Fairhope.

10. BACK ORDERS

If it is necessary to back order any items, the vendor must notify the Purchasing Department and advise as to the expected shipping or delivery date. If this date is not acceptable, the City of Fairhope may seek remedies for default.

11. BID AND PERFORMANCE SECURITY

If bid security is required, a bid bond or cashier's check in the amount indicated on the bid cover must accompany the bid and be made payable to The City of Fairhope of Baldwin County, Al. Corporate or certified checks are not acceptable. Bonds must be in a form satisfactory to the City and underwritten by a company licensed to issue bonds in the State of Alabama. If bid security fails to accompany the bid, it shall be deemed unresponsive, unless the Purchasing Manager deems the failure to be non-substantial. All checks will be returned to the bidders after the contract has been approved. If a performance bond is required, the successful bidder will be notified after the awarding of the contract.

12. BRAND NAMES

Reference to brand names and numbers is descriptive, but not restrictive, unless otherwise specified. Bids on equivalent items meeting the standards of quality thereby indicated will be

considered, providing the bid clearly describes the article offered and indicates how it differs from the referenced brands. Descriptive literature or manufacturers specifications plus any supplemental information necessary for comparison purposes should be submitted with the bid or the bid on that item may be rejected. Reference to literature submitted with a previous bid or on file with the Division of Purchasing will not satisfy this requirement. The burden is on the bidder to demonstrate that the item bid is equivalent to the item specified in the ITB. Bids without sufficient documentation to fully support equality, may be considered non-responsive. Reference by the City of Fairhope in the ITB to available existing specifications shall be sufficient to make the terms of such specifications binding on the bidder. Unless the bidder specifies otherwise in its bid, it is understood the bidder is offering a referenced brand item as specified in the ITB or is bidding as specified when no brand is referenced. Failure to examine drawings, specifications and instructions will be at the bidder's risk.

13. BUSINESS LICENSE

The vendor selected to enter into a Contract / Agreement with the City of Fairhope must be licensed to do business in the City of Fairhope prior to commencement of any work under the contract. Delivery of goods or services to the City of Fairhope by Purchase Order have detailed and varied Business License requirements. In all instances that require a business license. Awarded vendor will provide proof of possessing a current City of Fairhope Business License. Prospective bidders will not be required to possess a City of Fairhope Business License prior to award.

14. CANCELLATION OF / CONTRACT / AGREEMENT / PURCHASE ORDER / LEASE

A purchase order can be canceled in whole or in part when awarded vendor fails to deliver or perform as specified. Cancellation of a purchase order can only be made by a written purchase order change (POC) from the City of Fairhope. A term contract, lease or agreement can be canceled by the City of Fairhope, for justifiable cause, or convenience, by written notice.

15. CERTIFICATION PURSUANT TO ACT NO. 2006-557

Alabama law (section 41-4-116, code of Alabama 1975) provides that every bid submitted and contract executed shall contain a certification that the vendor, CONTRACTOR, and all of its affiliates that make sales for delivery into Alabama or leases for use in Alabama are registered, collecting, and remitting Alabama state and local sales, use, and/or lease tax on all taxable sales and leases into Alabama. By submitting this bid, the bidder is hereby certifying that they are in full compliance with act no. 2006-557, they are not barred from bidding or entering into a contract pursuant to 41-4-116, and acknowledges that the awarding authority may declare the contract void if the certification is false. All corporations must register to do business in Alabama with the Office of the Secretary of State. Their address is:

Office of the Secretary of State
P.O. Box 5616
Montgomery, AL
36103 (334) 242-5324

Fax: (334) 240-3138

<http://www.sos.state.al.us/index.aspx>

The Foreign Corporation form is online at

<http://sos.alabama.gov/business-entities>.

16. COST OF REMEDYING DEFECTS

All defects, indirect and consequential costs of correcting, removing or replacing any or all of the defective materials or equipment will be charged against the awarded vendor.

17. DELIVERY OF BID

Bids must be received in the Purchasing Office by the date and time specified on the bid cover. All bids will be accepted until the time and date stated on the bid cover. No bids will be accepted that extend past the time and date on the bid cover. The time of receipt shall be determined by the time clock stamp in the Purchasing Department. Bids submitted by U.S. Mail must be received by the City of Fairhope of Baldwin County, Alabama, in the City of Fairhope offices, 555 South Section St., Fairhope, AL., unless otherwise specified.

18. DELIVERY

The number of calendar days required for delivery after receipt of a purchase order shall be stated in the RFQ / ITB / RFP and /or Purchase Orders. When no time is stated in the document, the time shall be fourteen (14) calendar days after receipt of order. If a shipment is not made within the time period specified, the Purchase Order may be canceled.

19. ENVIRONMENTAL REQUIREMENTS

All products will be clearly labeled for their intended use. Each delivery of product or materials will include a Material Safety Data Sheet (MSDS) for all materials that require an MSDS. All manufacturers/distributors of hazardous substances, including any of the items listed on this bid/quote/ contract and subsequent award must include completed material safety data sheet (MSDS) for each hazardous material. Additionally, each container of hazardous materials must be appropriately labeled with:
a) The identity of the hazardous material,
b) Appropriate hazard warnings, and manufacturer, importer, or other responsible party.

20. EQUIPMENT DEMONSTRATION

The City of Fairhope may require equipment/ product materials or service techniques to be demonstrated at a time, date and location to be specified by the City of Fairhope.

21. EQUIPMENT ELECTRICAL CERTIFICATION

All electrical equipment purchased shall conform to, and be identified in, the applicable standard(s), or otherwise be certified as applicable, as of the bid opening date and time, by Underwriters Laboratories, Inc. or other recognized laboratory facility. Bidder must provide satisfactory documentation with returned bid that all such equipment meets the applicable product standard or has otherwise been certified as outlined above. Unless indicated in the bid document, the above certification shall apply to the equipment itself, not the individual components of that equipment.

22. ERRORS IN BID

Bidders are assumed to be informed regarding conditions, requirements and specifications prior to submitting bids. Failure to do so will be at the bidder's risk. Bids already submitted may be withdrawn without penalty prior to bid opening. Errors discovered after the bid opening may not be corrected.

23. FORCE MAJEURE

Neither the City nor the awarded vendor shall be deemed in breach of any contract / Purchase Order or Agreement which may result from this proposal submission if it is prevented from performing any of the obligations hereunder by reason of Acts of God, acts of the public enemy, acts of superior governmental authority, strikes or labor disputes, floods, riots, rebellion, sabotage, or any similar other unforeseeable causes beyond its control and not due to its fault or negligence. Each party shall notify the other immediately in writing of the cause of such after the beginning period thereof. The awarded vendor may request cancellation and the City of Fairhope may grant the request if performance is prevented by any of the above referenced causes, or other unavoidable circumstances not attributable to the fault or negligence of the vendor. The burden of proof for such relief rests with the vendor. All correspondence pertaining to cancellation of a purchase order or term contract must be addressed to the City of Fairhope Purchasing Manager.

24. HAZARDOUS AND TOXIC SUBSTANCES

Bidder must comply with all applicable Federal, State, County and City laws, ordinances and regulations relating to hazardous and toxic substances, including such laws, ordinances and regulations pertaining to information hazardous and toxic substances, and as amended from time to time. Bidder shall provide the City of Fairhope with a "Material Safety Data Sheet" for all goods that carry one.

25. INDEMNITY

Indemnity: The awarded vendor hereby agrees to indemnify and save harmless the City of Fairhope, its officers, agent, and employees, from and against any and all liabilities, claims, demands, damages, fines, fees, expenses, penalties, suits, proceedings, actions and cost of actions, including reasonable attorneys fees for trial and on appeal, of any kind and nature, arising or growing out of, or in any way connected with the performance of this Contract / Agreement / Purchase Order, to the extent caused by a negligent act or omission of the awarded vendor, their agents, servants, employees, Sub-contractors, or others associated with the awarded vendor. The awarded vendor shall be responsible for damage to any equipment excluded from this agreement, or damage or injury caused by any equipment excluded from this agreement, only to the extent that the damage or injury is caused by a negligent act or omission of the awarded vendor or caused by failure of the awarded vendor's supplied product to perform as specified.

26. INSPECTION

All materials, workmanship, equipment, and supplies are subject to inspection and test at any source or time. Final inspection, acceptance or rejection will be made at delivery destination. Goods that do not meet specifications will be rejected unless

substitutions have been approved by the City of Fairhope. Failure to inspect or to reject upon receipt, however, does not relieve the awarded vendor of liability. When subsequent tests, after receipt, are conducted and when such tests reveal a failure to meet specifications, the City of Fairhope will reject the goods and the awarded vendor shall immediately supply goods meeting specifications or the City of Fairhope may seek damages including but not limited to the testing expense, regardless of whether a part of or all of the goods have been consumed through the testing process. Rejected goods shall be removed by the awarded vendor promptly after rejection, at his expense. If not removed in fourteen (14) calendar days, they may be disposed of at the discretion of the City of Fairhope. Disposal costs will be the awarded vendor's responsibility.

27. INSPECTION OF PREMISES

At reasonable times, the City may inspect those areas of the awarded vendor's place of business that are related to the performance of a Contract / Agreement / Purchase Order. If the City makes such an inspection, the awarded vendor must provide reasonable assistance. The City of Fairhope reserves the right on demand and without notice all the vendor's files associated with a subsequent Contract / Agreement / Purchase Order where payments are based on the awarded vendor's record of time, salaries, materials, or actual expenses. This same clause will apply to any sub-contractors assigned to the Contract / Agreement / Purchase Order.

28. INSURANCE

If a Contract / Agreement / Purchase Order results from this RFQ / ITB / RFP, or other form of solicitation, the awarded vendor shall maintain such insurance as will indemnify and hold harmless the City of Fairhope from Workmen's Compensation and Public Liability claims from property damage and personal injury, including death, which may arise from the awarded vendor's operations under this Contract / Agreement / Purchase Order, or by anyone directly or indirectly employed by him/her.

29. INVITATION TO BID

Any provisions made in the RFQ / ITB / RFP, or other form of solicitation, supersedes any provisions outlined here in the General Terms and Conditions.

30. INVOICING, DELIVERY, PACKAGING

Invoices shall be prepared only after ordered materials have been delivered. All invoices must show the purchase order number. Unless otherwise specified in writing, vendors shall not ship any material without an authorized Purchase Order from the City of Fairhope Purchasing Department. All packages delivered must show the purchase order number. The awarded vendor will be required to furnish all materials, equipment and/or service called for at the bid price quoted. In the event the awarded vendor fails to deliver within a reasonable period of time, as determined by the City of Fairhope, the right is reserved to cancel the award and subsequent purchase order and purchase from the next lowest responsible bidder the items needed. The original awarded vendor will be back charged the difference between the original contract price and the price the City of Fairhope has to pay as a result of the failure to perform by the original awarded vendor. All bids will remain firm for acceptance for 60 days from the date of bid opening. Prices shall be net F.O.B., Prepaid and Allow, City of Fairhope chosen site, Baldwin

County, Al. The title and risk of loss of the goods will not pass to the City of Fairhope until receipt and acceptance takes place at the F.O.B. point.

31. LABELING

Individual shipping cartons shall be labeled with the name "City of Fairhope", Purchase Order Number, and where applicable, Contract Number, date of manufacture, batch number, storage requirements, conditions, and recommended shelf life. Bidders are encouraged to offer product packaging with recycled content.

32. LOSS OR DAMAGE IN TRANSIT

Delivery by a vendor to a common carrier does not constitute delivery to the City of Fairhope. Any claim for loss or damage incurred during delivery shall be between the vendor and the carrier. The City of Fairhope accepts title only after satisfactory receipt at the delivery point. The City of Fairhope shall note all visible damages on the freight bill and may refuse the damaged goods. The vendor shall make immediate replacement of the damaged merchandise or be subject to damages for breach of contract. If damage is to a small portion of a total shipment and the City of Fairhope will not be inconvenienced because of the shortage, the vendor may be permitted by the Purchasing Manager to deduct the amount of damage or loss from its invoice, in lieu of replacement. Risk of loss during delivery is borne by the vendor until the goods have been accepted by the City of Fairhope, unless otherwise specified in the RFQ / ITB / RFP or other form of solicitation.

33. MANDATORY SITE VISIT

If the RFQ / ITB /RFP or other form of solicitation requires a mandatory site visit, bidders must inspect the site where installation or service is to take place to obtain a full understanding of scope of work outlined therein. Date of site visit will be determined by the City of Fairhope.

34. MONITORING OF SERVICES

Performance of services will be monitored by the requisitioning department and/or the Purchasing Department, and evaluation reports may be filed with the Purchasing Department. Performance not meeting specifications will result in cancellation of Contract / Agreement / Purchase Order and may result in vendor being removed from the vendor list.

35. NON-CONFORMING MERCHANDISE

When merchandise received from the lowest responsible bidder is not in accordance with the purchase order, it will be returned to the bidder, at bidder's expense.

36. NON-DISCRIMINATION

The City of Fairhope is an Equal Opportunity Employer and requires that all CONTRACTORS comply with the Equal Employment Opportunity laws and the provisions of the Contract / Agreement / Purchase Order documents in this regard. The City also encourages and supports the utilization of Minority Business Enterprises on this and all public bids.

37. NON-EXCLUSIVE

Unless otherwise specified, this Contract / Agreement / Purchase Order is considered a non-exclusive Contract /Agreement / Purchase Order between the parties.

38. NOTIFICATION AND ACCIDENT REPORTS

In the event of accidents of any kind, in the performance of a Contract / Agreement / Purchase Order, the awarded vendor shall notify the City of Fairhope immediately and furnish, without delay, copies of all such accident reports to the City of Fairhope. If in the performance of their Work, the awarded vendor fails to immediately report an accident to the City of Fairhope, of which the awarded vendor has knowledge of and which results in a fine levied against the City of Fairhope then the awarded vendor shall be responsible for all fines levied against the City of Fairhope.

39. PACKAGING

All goods must be packaged in new packing containers. Packing that meets the requirements of common carriers is acceptable, unless otherwise required. A packing slip or invoice must accompany all shipments and must reference the purchase order number. Unless otherwise specified, goods are to be packaged in cartons meeting federal specifications and shipped on non-returnable pallets.

40. PATENTS

Awarded Vendor guarantees that the sale and / or use of goods will not infringe upon any U.S. or foreign patent. Awarded vendor will at his / her own expense, indemnify, protect and save harmless the City of Fairhope, on any patent claims arising from the purchase of goods or services.

41. PAYMENT

Invoices -- Upon completion of service and delivery of materials specified in the applicable purchase order, awarded vendor will submit an invoice and signed delivery ticket to:

City of Fairhope
Accounts Payable Department
P.O. Drawer 429
Fairhope, Al. 36533
ap@fairhopeal.gov

All invoices must reference appropriate Purchase Order Numbers
Payment of Invoice: All invoices received by the City of Fairhope are payable within thirty (30) days from the date of receipt by the City of Fairhope, provided they are approved by the City of Fairhope.

42. PAYMENT WITHHELD

Payment may be withheld until all items have been delivered and all requirements of the Contract / Agreement / Purchase Order have been fulfilled

43. PRODUCT TESTING

Vendor shall incur all cost involved in obtaining an Independent Laboratory Test if the City deems necessary during the term of the Contract / Agreement / Purchase Order. The City of Fairhope reserves the right to request a demonstration of any and all items bid before making the award

44. PERMITS LICENSES AND CERTIFICATES

The awarded vendor is to procure all permits, licenses, and certificates, or any approvals of plans or specifications as may be required by Federal, State, Local Laws, ordinances, rules, and regulations, for the proper execution and completion of Work

covered under the Contract / Agreement / Purchase Order.

45. PREPARATION OF BID

All bids / proposals shall be typewritten or in ink on the form(s) prepared by the City of Fairhope. Bids / proposals prepared in pencil will not be accepted. All bids / proposals must be signed by officials of the corporation or company duly authorized to sign bids / proposals. Any bid / proposal submitted without being signed will automatically be rejected. All corrections or erasures shall be initialed and dated by the person authorized to sign quotations / bids / proposals. If there are discrepancies between unit prices quoted and extensions, the unit price will prevail.

46. QUESTIONS / CONTACT

Commencing with the issuance of the RFQ / ITB / RFP, or other form of solicitation, no vendor or anyone acting on a vendor's behalf, shall make direct or indirect contact with City personnel or undertake any activities or take any action to otherwise promote its quotation / bid / proposal to the City or its personnel. All communications shall be made to the contact identified in the quotation / bid / proposal documents. Violation of this requirement may, at the City's sole and absolute discretion, be grounds for disqualifying a vendor from further consideration.

47. RECEIPT BY CITY OF FAIRHOPE

If not otherwise stated in the order, the City of Fairhope will be said to have received goods when they have been delivered, unloaded and placed on the agency's dock or if there is no dock, inside an accessible building, and signed for by an authorized City employee. Shipments will be checked against the receiving copy of the Purchase Order. If the purchase order requires grading certificates, USDA Stamps, or any proof of quality, such proof must accompany the shipment.

48. REJECTION OF BIDS

The City of Fairhope reserves the right to accept or reject any or all bids in whole or in part for any reason, to waive technicalities or informalities, or to advertise for new proposals, if, in the judgment of the awarding authority, the best interest of the City of Fairhope will be promoted thereby. Bidders may be disqualified and rejection of proposals may be recommended for any of (but not limited to) the following causes: Failure to use the bid forms furnished by the City of Fairhope, Lack of signature by an authorized representative on the bid form, Failure to properly complete the bid form and vendor compliance, Evidence of collusion among bidders, unauthorized alteration of the bid form.

50. RIGHT TO AUDIT

The awarded vendor shall maintain documentation of all work performed. The awarded vendor shall make any and all documentation available to the City of Fairhope at all reasonable times, for inspections and audit by the City of Fairhope, during the entire term of the Contract / Agreement / Purchase Order and for a period of Three (3) years after expiration of the Contract / Agreement / Purchase Order.

51. SAMPLES

Bidders will not be required to furnish samples at the time of bid opening, unless specifically called for. The City of Fairhope reserves the right to request samples after bid opening to assist in the evaluation of proposals submitted.

52. SAFETY MEASURES

The awarded vendor shall take all necessary precautions for the safety of the City of Fairhope's and awarded vendor's employees at the Work site, and shall erect and properly maintain at all times, all necessary safeguards for the protection of the workmen and the public. The awarded vendor shall post signs warning against hazards in and around the Work site.

53. SET-UP AND INSTALLATION

Unless otherwise specified, bid / quotation to include cost of all uncrating, disposal of shipping materials, set-up, testing and initial instruction to agency personnel.

54. SPILL CLEAN UP

The awarded vendor shall be responsible for spillage caused by their negligence, which occurs during transit or unloading operations. The awarded vendor shall immediately report and clean up any spillage. Upon failure to do so, the awarded vendor shall remain responsible for all actual related costs

55. SUBSTITUTIONS

Substitutions on a purchase order shall require the approval of the Originating Buyer. The City of Fairhope reserves the right to reject at destination and hold at the vendor's risk and expense any goods supplied by the vendor which do not conform to the specification or description embodied in the order or are inferior in any respect to the good specified. Any good bought by sample which is inferior in quality to the sample submitted by vendor will be rejected. Any goods delivered that do not meet specifications may be returned to the vendor at its expense. When a good is returned, the vendor must make immediate replacement with acceptable merchandise or the City of Fairhope may seek remedies for default.

56. TABULATION

Bid results are posted on The City of Fairhope's web site: www.fairhopeal.gov. The awarded vendor will be sent a written notification via mail.

57. TAXES

Prices quoted shall be delivered prices, exclusive of all federal or state excise, sales, and manufacturer's taxes. The City will assume no transportation or handling charges other than specified in the RFQ, ITB, RFP or other form of solicitation. The City is tax exempt by law – Code of Alabama 1975.

58. TERMINATION FOR CONVENIENCE

Any Contract / Agreement / Purchase Order may be terminated for convenience by the City of Fairhope, in whole or in part, by written notification to the awarded vendor.

59. TERMINATION FOR DEFAULT

Performance of Work under the Contract / Agreement / Purchase Order Agreement may be terminated by the City of Fairhope, in whole or in part, in writing, whenever the City of Fairhope determines that the awarded vendor has failed to meet the requirements of the Contract / Agreement / Purchase Order.

60. TERMINATION FOR NON-APPROPRIATION

Termination for Non-appropriation – The continuation of any financial obligation beyond the current fiscal year is subject to and contingent upon sufficient funds being appropriated, budgeted, 19

and otherwise made available by the local source, State Legislature and/or federal sources. The City of Fairhope may terminate any financial obligation, and awarded vendor waives any and all claim(s) for damages, effective immediately upon receipt of written notice (or any date specified therein) if for any reason the City of Fairhope's funding from local, State and/or federal sources is not appropriated, withdrawn or limited.

61. TIME IS OF THE ESSENCE

The City of Fairhope and awarded vendor agree that time is of the essence in the performance of work called for under this Contract / Agreement / Purchase Order. The awarded vendor agrees that all work will be accomplished regularly, diligently and uninterrupted at such a rate of progress as will ensure full completion thereof within reasonable time periods.

62. TITLE

All titles, fees, as well as other charges, are to be paid by awarded vendor. Awarded vendor is to furnish prepaid certificate of title in the name of the City of Fairhope, Title shall change upon acceptance of delivery at the City of Fairhope approved delivery location.

63. VENDOR LIST

A vendor may be removed from the City of Fairhope's Bidders List if a vendor fails to respond to three (3) consecutive ITB's. A properly submitted "No Bid" is considered as a response and the vendor will receive credit for the response.

64. WARRANTY

The awarded vendor expressly warrants that all articles, materials, and work offered shall conform to each and every specification, drawing, sample, or other description which is furnished to or adopted by the City of Fairhope, and that it will be fit and sufficient for the purpose intended, merchantable, of good material and workmanship, and free from defects. The awarded vendor further warrants all items for a period of one year, unless otherwise stated, from the date of acceptance of the items delivered and installed or work completed. All repairs, replacements, or adjustments during the warranty period will be at the awarded vendor's sole expense. Awarded vendor will provide written warranty for all parts and labor for a period of (1) one year commencing from date of written acceptance of delivery by City of Fairhope. Awarded vendor will provide written copies of all other applicable warranties, such as, Manufacturer's warranty. Those warranties, if any, will be in addition to the awarded vendor's warranty, and the terms of which will not be altered by the awarded vendor's warranty.

65. IMMIGRATION LAW

The CONTRACTOR agrees that it shall comply with all of the requirements of the **Beason-Hammon Alabama Taxpayer and Citizen Protection Act, Act No 2011-535**, Alabama Code (1975) Section 31-13-1, et. Seq., (also known as the Alabama Immigration Act) see Section 31-13-9, and the provisions of said Act, including all penalties for violation thereof, are incorporated herein.

CONTRACT (sample)

This **CONTRACT** is made this ____ day of _____, 2021 by and between the City of Fairhope (hereinafter "**OWNER**") and _____, hereinafter "**CONTRACTOR**"), on the **WORK**:

RFQ 013-21 N. Beach Pavilion-- Repair and Replacement of Asphalt Shingle Roof

The **OWNER** and **CONTRACTOR** agree as set forth below:

1. The contract consists of all of the items contained within this contract, the quotation package, proposal, scope of work, specifications and if any drawings addenda, amendments, and "City of Fairhope Standard Terms and Conditions", which are attached hereto and made a part hereof, as if fully contained herein; for the performance of all work and the furnishing of all labor and materials required.
2. The **CONTRACTOR** shall perform all the **WORK** described herein.
3. The **WORK** to be performed under this **CONTRACT** shall be commenced upon execution of this **CONTRACT** within number TEN (10) days of the date specified in the *Notice to Proceed* (NIP) to be issued to the **CONTRACTOR** by the **OWNER**, or its authorized representative. The work shall be completed, subject to authorized adjustments, within SIXTY (60) consecutive calendar days from and after the commencement date stipulated in said *Notice to Proceed*. Liquidated damages for non-completion of the work within this time limit will be assessed at the rate of \$200 per working day.
4. The **OWNER** shall pay the **CONTRACTOR** in current funds for the performance of the **WORK**, the **CONTRACT SUM** of _____ DOLLARS (\$ _____). This represents a **LUMP SUM** payment for performance of the **WORK**, which payment shall be issued after the Contract is fully performed and the **OWNER** has inspected the **WORK**.

3.0 GENERAL CONDITIONS

- 3.01 **Indemnity:** The **CONTRACTOR** hereby agrees to indemnify and save harmless the **OWNER**, its officers, agent, and employees, from and against any and all liabilities, claims, demands, damages, fines, fees, expenses, penalties, suits, proceedings, actions and cost of actions, including reasonable attorneys' fees for trial and on appeal, of any kind and nature, arising or growing out of, or in any way connected with the performance of this Contract, to the extent caused by a negligent act or omission of the **CONTRACTOR**, their agents, servants, employees,
- 3.02 **Notification and Accident Reports:** In the event of accidents of any kind, the **CONTRACTOR** shall notify the **OWNER** immediately and furnish, without delay, copies of all such accident reports to the **OWNER**. If in the performance of their Work, the **CONTRACTOR** fails to immediately report an accident to the **OWNER**, of which the **CONTRACTOR** has knowledge of and which results in a fine levied against the **OWNER** then the **CONTRACTOR** shall be responsible for all fines levied against the **OWNER**.

4.0 Termination of Agreement

- 4.01 **Termination for Default:** Performance of Work under this Agreement may be terminated by the **OWNER**, in whole or in part, in writing, whenever the **OWNER** determines that the **CONTRACTOR** has failed to meet the requirements of this Agreement.

4.02 **Termination for Convenience:** In the event that any of the provisions of this contract are violated by the CONTRACTOR, or by any of his sub-CONTRACTORS, the OWNER may serve written notice upon the CONTRACTOR and the surety of his intention to terminate the contract, such notices to contain the reasons for such intention to terminate the contract, and unless within 10-days after the serving of such notice upon the CONTRACTOR, such violation or delay shall cease and satisfactory arrangement of correction be made, the CONTRACTOR shall, upon the expiration of said 10-days, cease and terminate. In the event of any such termination, the OWNER shall immediately serve notice thereof upon the surety and the CONTRACTOR and the surety shall have the right to take over and perform the contract; provided, however, that if the surety does not commence performance thereof within 30-days from the date of the mailing to such surety of notice of termination, the OWNER may take over the work and prosecute the same to completion by contract or by force account for the account and at the expense of the CONTRACTOR and the CONTRACTOR and his surety shall be liable to OWNER for any excess cost occasioned the OWNER thereby, and in such event, the OWNER may take possession of and utilize in completing the work, such materials, appliances and plant as may be on the site for the work and necessary therefore.

4.03 Termination for Cause: The State and OWNER may terminate the Contract at any time without penalty by giving 30-days written notice to the CONTRACTOR of such termination or negotiating with the CONTRACTOR an effective date. CONTRACTOR shall be entitled to payment for deliverables in progress, to the extent work has been performed satisfactorily.

5.0 Scope of Work – Please see Scope of Work and Specifications

6.0 Miscellaneous Provisions

6.01 This Contract is considered a non-exclusive Agreement between the parties.

6.02 This Contract is deemed to be under and shall be governed by and construed according to the laws of the State of Alabama.

6.03 Any litigation arising out of the Contract shall be heard in the Courts of Baldwin County, Alabama.

6.04 This Contract contains all terms and conditions agreed upon by the **OWNER** and **CONTRACTOR**. No other agreement, oral or otherwise, regarding the subject matter of this Contract shall be deemed to exist or to bind either party hereto.

6.05 This Contract shall not be construed against the party or parties preparing it. It shall be construed as if all the parties and each of them jointly prepared this Contract, and any uncertainty or ambiguity shall not be interpreted against one or more parties.

6.06 A prospective contractor that is listed on the government-wide Excluded Parties List System in the System for Award Management (www.SAM.gov) as suspended or debarred, **CANNOT** be awarded a contract funded with Federal assistance.

Section 41-16-5, Code of Alabama 1975, requires that public contracts over \$15,000 include the following language:

**By signing this Contract, _____ represents and agrees that it
COMPANY NAME
is not currently engaged in, nor will it engage in, any boycott of a person or entity based in or doing business with a
jurisdiction with which the State of Alabama can enjoy open trade**

IN WITNESS WHEREOF, the parties hereto have executed this Contract as of the day and year first above written.

THE CITY OF FAIRHOPE, ALABAMA

ATTEST

BY: _____
SHERRY SULLIVAN, Mayor

LISA A. HANKS, MMC, City Clerk

NOTARY FOR THE CITY

STATE OF ALABAMA}
COUNTY OF BALDWIN}

I, the undersigned authority in and for said State and County, hereby certify that **Sherry Sullivan**, as Mayor of the City of Fairhope, whose name is signed to the foregoing document, and who is known to me, acknowledged before me on this day, that, being informed of the contents of the document she executed the same voluntarily on the date the same bears date.

Given under my hand and Notaries Seal on this ____ day of _____, 2021.

NOTARY PUBLIC _____

MY COMMISSION EXPIRES: ____/____/_____

CONTRACTOR

CORPORATION, PARTNERSHIP, OR JOINT VENTURE

Name of Corporation, Partnership or Joint Venture

BY: _____
(SIGNATURE of Officer authorized for sign Quotes and Contracts for the firm) (Position or Title)

(PRINT name of Officer authorized for sign Quotes and Contracts for the firm)

(PRINT NAME(S) OF OTHERS IF IN PARTNERSHIP)

Business _____

Business Mailing Address _____

City, State, Zip Code _____

Email _____

General Contractor's License _____ Alabama Foreign Entity ID _____

NOTARY FOR CORPORATION, PARTNERSHIP OR JOINT VENTURE

STATE OF _____ }
COUNTY OF _____ }

I the undersigned authority in and for the said State and County, hereby certify that

Print name of Quote signer and _____, as _____ and
Print name of Quote signer Title
_____, respectively, of _____
Title Print Company name

whose name(s) is signed to the foregoing document and who is known to me, acknowledged before me on this day, that, being informed of the contents of the document they executed the same voluntarily on the day the same bears date.

Given under my hand and Notary Seal on this ___ day of _____, 2021.

Notary Public _____

My Commission Expires _____

Alabama Immigration Act Contract Requirements

1.0 Background

The **Beason-Hammon Alabama Taxpayer and Citizen Protection Act, Act No 2011-535, as amended by Act No 2012-491, Code of Alabama (1975) Section 31-13-1 through Section 31-13-30** (also known as and hereinafter referred to as “the Alabama Immigration Act”) is applicable to contracts with the City of Fairhope, Alabama. All business entities entering into contracts with the City of Fairhope, Alabama will comply with the Alabama Immigration Act.

2.0 Definitions

ALIEN. Any person who is not a citizen or national of the United States, as described in 8 U.S.C. § 1101, et seq., and any amendments thereto.

BUSINESS ENTITY. Any person or group of persons employing one or more persons performing or engaging in any activity, enterprise, profession, or occupation for gain, benefit, advantage, or livelihood, whether for profit or not for profit. Business entity shall include but not be limited to the following:

- a. Self-employed individuals, business entities filling articles of incorporation, partnerships, limited partnerships, limited liability companies, foreign corporations, foreign limited partnerships, foreign liability companies authorized to transact business in this state, business trusts, and any business entity that registers with the Secretary of State.
- b. Any business entity that possesses a business license, permit, certificate, approval, registration, charter, or similar form of authorization issued by the state, any business entity that is exempt by law from obtaining such a business license, an any business entity that is operating unlawfully without a business license.

CONTRACTOR. A person, employer, or business entity that enters into an agreement to perform any service or work or to provide a certain product in exchange for valuable consideration. This definition shall include, but not be limited to, a general CONTRACTOR, sub-CONTRACTOR, independent CONTRACTOR, contract employee, project manager, or a recruiting or staffing entity.

EMPLOYEE. Any person directed, allowed, or permitted to perform labor or service of any kind by an employer. The employees of an independent CONTRACTOR working for a business entity shall not be regarded as the employees of the business entity, for the purposes of this chapter. This term does not include any inmate in the legal custody of the state, a county, or a municipality.

EMPLOYER. Any person, firm, corporation, partnership, joint stock association, agent, manager, representative, foreman, or other person having control or custody of any employment, place of employment, or of any employee, including any person or entity employing any person for hire within the State of Alabama, including a public employer. This term shall not include the occupant of a household contracting with another person to perform casual domestic labor within the household.

E-VERIFY. The electronic verification of federal employment authorization program of the Illegal Immigration Reform and Immigrant Responsibility Act of 1996, P.L. 104-208, Division c, Section 403 (a); 8 U.S.C. §1324(a), and operated by the United States Department of Homeland Security, or its successor program.

STATE-FUNDED ENTITY. Any governmental entity of the state or a political subdivision thereof or any other entity that receives any monies from the state or a political subdivision thereof; provided, however, an entity that merely provides a service or a product to any governmental entity of the state or a political subdivision thereof, and receives compensation for the same, shall not be considered a state-funded entity.

SUB-CONTRACTOR. A person, business entity, or employer who is awarded a portion of an existing contract by a CONTRACTOR, regardless of its tier.

UNAUTHORIZED ALIEN. An alien who is not authorized to work in the United States as defined in 8 U.S.C. § 1324a (h) (3).

3.0 **Mandatory Clause**

All contracts or agreements to which the state, a political subdivision, or state-funded entity are a party shall include the following clause:

"By signing this contract, the contracting parties affirm, for the duration of the agreement, that they will not violate federal immigration law or knowingly employ, hire for employment, or continue to employ an unauthorized alien within the state of Alabama. Furthermore, a contracting party found to be in violation of this provision shall be deemed in breach of the agreement and shall be responsible for all damages resulting therefrom."

For purposes of this section, "contract" shall mean a contract awarded by the state, any political subdivision thereof, or any state-funded entity that was competitively Quote or would, if entered into by the state or an agency thereof, be required to be submitted to the Contract Review Permanent Legislative Oversight Committee.

4.0 **Contracts Involving Business Entity, or Employer**

As a condition for the award of any contract, grant, or incentive by the state, any political subdivision thereof, or any state-funded entity to a business entity or employer that employs one or more employees, the business entity or employer shall not knowingly employ, hire for employment, or continue to employ an unauthorized alien within the State of Alabama.

As a condition for the award of any contract, grant, or incentive by the state, any political subdivision thereof, or any state-funded entity to a business entity or employer that employs one or more employees within the state of Alabama, **the business entity or employer shall provide documentation establishing that the business entity or employer is enrolled in the E-Verify program.** During the performance of the contract, the business entity or employer shall participate in the E-Verify program and shall verify every employee that is required to be verified according to the applicable federal rules and regulations.

5.0 **Contracts Involving Subcontracting**

Any sub-contractor on a project paid for by contract, grant, or incentive by the state, any political subdivision thereof, or any state-funded entity shall not knowingly employ, hire for employment, or continue to employ an unauthorized alien within the State of Alabama and shall also enroll in the E-Verify program prior to performing any work on the project. Furthermore, during the performance of the contract, the sub-contractor shall participate in the E-Verify program and shall verify every employee that is required to be verified according to the applicable federal rules and regulations. This subsection shall only apply to sub-contractors performing work on a project subject to the provisions of this section and not to collateral persons or business entities hired by the sub-contractor.

6.0 **Proof of E-Verify** documentation will be in the form of a copy of the signed Memorandum Of Understanding (MOU) generated upon completion of the E-Verify program.

ATTACHMENT B

FEMA FEDERAL CONTRACT PROVISIONS

A. EQUAL EMPLOYMENT OPPORTUNITY CLAUSE (2 CFR §200.326 Appendix II to Part 200 (C))

During the performance of the contract, CONTRACTOR shall comply with the Equal Employment Opportunity Clause (41 CFR 60-1.4(b)):

1. CONTRACTOR will not discriminate against any employee or applicant for employment because of race, color, religion, sex, or national origin. CONTRACTOR will take affirmative action to ensure that applicants are employed, and that employees are treated during employment without regard to their race, color, religion, sex, or national origin. Such action shall include, but not be limited to the following: Employment, upgrading, demotion, or transfer; recruitment or recruitment advertising; layoff or termination; rates of pay or other forms of compensation; and selection for training, including apprenticeship. CONTRACTOR agrees to post in conspicuous places, available to employees and applicants for employment, notices to be provided setting forth the provisions of this nondiscrimination clause.
2. CONTRACTOR will, in all solicitations or advertisements for employees placed by or on behalf of the CONTRACTOR, state that all qualified applicants will receive considerations for employment without regard to race, color, religion, sex, or national origin.
3. CONTRACTOR will send to each labor union or representative of workers with which he has a collective bargaining agreement or other contract or understanding, a notice to be provided advising the said labor union or workers' representatives of the CONTRACTOR's commitments under this section, and shall post copies of the notice in conspicuous places available to employees and applicants for employment.
4. CONTRACTOR will comply with all provisions of Executive Order 11246 of September 24, 1965, and of the rules, regulations, and relevant orders of the Secretary of Labor.
5. CONTRACTOR will furnish all information and reports required by Executive Order 11246 of September 24, 1965, and by rules, regulations, and orders of the Secretary of Labor for purpose of investigation to ascertain compliance with such rules, regulations, and orders.
6. In the event of the CONTRACTOR's noncompliance with the nondiscrimination clauses of this Contract or with any of the said rules, regulations or orders, this contract may be canceled, terminated, or suspended in whole or in part and the CONTRACTOR may be declared ineligible for further Government contracts or federally assisted construction contracts in accordance with procedures authorized in Executive Order 11246 of September 24, 1965, and such other sanctions may be imposed and remedies invoked as provided in Executive Order 11246 of September 24, 1965, or by rule, regulation, or order of the Secretary of Labor, or as otherwise provided by law.
7. CONTRACTOR will include the portion of the sentence immediately preceding paragraph 1 and the provisions of paragraph 1 through 7 in every subcontract or purchase order unless exempted by rules, regulations, or orders of the Secretary of Labor issued pursuant to section 204 of Executive Order 11246 of September 24, 1965, so that such provisions will be binding upon each subcontractor or vendor. The CONTRACTOR will take such action with respect to any subcontract or purchase order as the administering agency may direct as a means of enforcing such provisions, including sanctions for noncompliance: provided, however, that in the event a CONTRACTOR becomes involved in, or is threatened with, litigation with a subcontractor or vendor as a result of such direction by the administering agency the CONTRACTOR may request the United States to enter into such litigation to protect the interest of the United States.

B. DAVIS-BACON ACT (2 CFR §200.326 Appendix II to Part 200 (D))

(Not applicable to this Contract; applicable only for prime construction contracts in excess of \$2,000.) CONTRACTOR shall pay wages to laborers and mechanics at a rate not less than those in the attached Davis-Bacon Act Wage Rate Table(s) as made by the Secretary of Labor. CONTRACTOR shall pay wages not less than once per week.

C. COPELAND "ANTI-KICKBACK" ACT (2 CFR §200.326 Appendix II to Part 200 (D))

(Not applicable to this Contract; applicable only for prime construction contracts in excess of \$2,000.) CONTRACTOR shall comply with the Copeland "Anti-Kickback" Act (40 U.S.C. §3145), as supplemented by Department of Labor regulations (29 CFR Part 3, "Contractors and Subcontractors on Public Building or Public Work Financed in Whole or in Part by Loans or Grants from the United States"). The Act provides that the CONTRACTOR and COUNTY is prohibited from inducing, by any means, any person employed in the construction, completion, or repair of public work, to give up any part of the compensation to which he or she is otherwise entitled. The COUNTY must report all suspected or reported violations to the appropriate Federal agency.

1. *CONTRACTOR. The CONTRACTOR shall comply with 18 U.S.C. § 874, 40 U.S. C. § 3145, and the requirements of 29 C.F.R. pt. 3 as may be applicable, which are incorporated by reference into this Contract.*
2. *Subcontracts. The CONTRACTOR or subcontractor shall insert in any subcontracts the clause above and such other clauses as the FEMA may by appropriate instructions require, and also a clause requiring the subcontractors to include these clauses in any lower tier subcontracts. The prime CONTRACTOR shall be responsible for the compliance by any subcontractor or lower tier subcontractor with all of these contract clauses.*
3. *Breach. A breach of the contract clause above may be grounds for termination of the Contract, and for debarment as a contractor and subcontractor as provided in 29 C.F.R. §5.12.*

D. CONTRACT WORK HOURS AND SAFETY STANDARDS ACT (2 CFR §200.326 Appendix II to Part 200 (E)) (40 U.S.C. 3701-3708)

(Not applicable to the purchases of supplies or materials or articles ordinarily available on the open market, or contracts for transportation or transmission of intelligence.) Contracts in excess of \$100,000 that involve the employment of mechanics or laborers shall comply with 40 U.S.C. 3702 and 3704, as supplemented by Department of Labor regulations (29 CFR Part 5). Under 40 U.S.C. 3702 of the Act, each CONTRACTOR and its subcontractors shall compute the wages of every mechanic and laborer on the basis of a standard workweek of 40 hours. Work in excess of the standard workweek is permissible provided that the worker is compensated at a rate of not less than one and a half times the basic rate of pay for all hours worked in excess of 40 hours in the workweek. The requirements of 40 U.S.C. 3704 are applicable to construction work and provide that no laborer or mechanic must be required to work in surroundings or under working conditions, which are unsanitary, hazardous or dangerous.

E. RIGHTS TO INVENTIONS MADE UNDER A CONTRACT OR AGREEMENT (2 CFR §200.326 Appendix II to Part 200 (F))

(Not applicable to this Contract.) If the Federal award meets the definition of "funding agreement" under 37 CFR §401.2 (a) and the recipient or subrecipient wishes to enter into a contract with a small business firm or nonprofit organization regarding the substitution of parties, assignment or performance of experimental, developmental, or research work under that "funding agreement," the recipient or subrecipient must comply with the requirements of 37 CFR Part 401, "Rights to Inventions Made by Nonprofit Organizations and Small Business." Firms under Government Grants, Contracts and Cooperative Agreements," and any implementing regulations issued by the awarding agency.

- F. CLEAN AIR ACT AND FEDERAL WATER POLLUTION CONTROL ACT (2 CFR §200.326 Appendix II to Part 200 (G))**
CONTRACTOR shall comply with all applicable standards, orders or regulations issued pursuant to the Clean Air Act (42 U.S.C. 7401-7671q.) and the Federal Water Pollution Control Act as amended (33 U.S.C. 1251-1387). Violations must be reported to the Federal awarding agency and the Regional Office of the Environmental Protection Agency (EPA).
- G. DEBARMENT AND SUSPENSION (2 CFR §200.326 Appendix II to Part 200 (H))**
A contract cannot be awarded to parties listed on the government-wide exclusions in the System for Award Management (SAM), in accordance with the OMB guidelines at 2 CFR 180 that implement Executive Orders 12549 (3 CFR part 1986 Comp., p. 189) and 12689 (3 CFR part 1989 Comp., p. 235), "Debarment and Suspension." The Excluded Parties List System in SAM contains the names of parties debarred, suspended, or otherwise excluded by agencies, as well as parties declared ineligible under statutory or regulatory authority other than Executive Order 12549. The Vendor/CONTRACTOR agrees to comply with the requirements of 2 C.F.R. pt. 180, subpart C and 2 C.F.R. pt. 3000, subpart C while this offer is valid and throughout the period of any contract that may arise from this offer. The Vendor/CONTRACTOR further agrees to include a provision requiring such compliance in its lower tier covered transactions.
- H. PROCUREMENT OF RECOVERED MATERIALS (2 CFR §200.322)**
CONTRACTOR must comply with Section 6002 of the Solid Waste Disposal Act, as amended by the Resource Conservation and Recovery Act. The requirements of Section 6002 include procuring only items designated in guidelines of the Environmental Protection Agency (EPA) at 40 CFR part 247 that contain the highest percentage of recovered materials practicable, consistent with maintaining a satisfactory level of competition, where the purchase price of the item exceeds \$10,000 or the value of the quantity acquired by the preceding fiscal year exceeded \$10,000; procuring solid waste management services in a manner that maximizes energy and resource recovery; and establishing an affirmative procurement program for procurement of recovered materials identified in the EPA guidelines.
- I. CONTRACTING WITH SMALL AND MINORITY BUSINESSES, WOMEN'S BUSINESS ENTERPRISES, AND LABOR SURPLUS AREA FIRMS (2 CFR §200.321)**
Should the CONTRACTOR subcontract any of the work under this Contract, CONTRACTOR shall take the following affirmative steps: place qualified small and minority businesses and women's business enterprises on solicitation lists; assure that small and minority businesses, and women's business enterprises are solicited whenever they are potential sources; divide total requirements, when economically feasible, into smaller tasks or quantities to permit maximum participation by small and minority businesses, and women's business enterprises; establish delivery schedules, where the requirement permits, which encourage participation by small and minority businesses, and women's business enterprises; and use the services and assistance, as appropriate, of such organizations as the Small Business Administration and the Minority Business Development Agency of the Department of Commerce. Their websites and contact information can be found at www.SBA.gov and www.MBDA.gov.
- J. ENERGY EFFICIENCY AND CONSERVATION**
CONTRACTOR shall comply with the mandatory standards and policies of the Florida Energy Efficiency and Conservation Act issued in compliance with the Energy Policy and Conservation Act (42 U.S.C. § 6201).

TERMINATION FOR DEFAULT

The City of Mesquite reserves the right to enforce the performance of this contract in any manner prescribed by law or deemed to be in the best interest of the City in the event of breach or default of this contract. City of Mesquite reserves the right to terminate the **contract** immediately in the event the successful proposer fails to:

- ◆ meet delivery or completion schedules
- ◆ otherwise perform in accordance with the accepted proposal

Breach of contract or default authorizes the City to award to another proposer, purchase elsewhere, and charge the full increase in cost to the defaulting proposer.

NON-PERFORMANCE CONDITION

If the product or service is not in conformance with the specifications and requirements of the City, the vendor shall redo and complete any work necessary, bring the product or service into compliance at the vendor's expense.

CERTIFICATION REGARDING LOBBYING

The undersigned certifies, to the best of his or her knowledge and belief, that:

(1) No Federal appropriated funds have been paid or will be paid, by or on behalf of the undersigned, to any person for influencing or attempting to influence an officer or employee of any agency, a Member of Congress, an officer or employee of Congress, or an employee of a Member of Congress in connection with the awarding of any Federal grant, the making of any Federal loan, the entering into of any cooperative agreement, and the extension, continuation, renewal, amendment or modification of any Federal contract, grant, loan, or cooperative agreement.

(2) If any funds other than Federal appropriated funds have been paid or will be paid to any person for influencing or attempting to influence an officer or employee of any agency, a Member of Congress, an officer or employee of Congress, or an employee of a Member of Congress in connection with this Federal contract, grant, loan, or cooperative agreement, the undersigned shall complete and submit Standard Form-LLL, "Disclosure of Lobbying Activities," in accordance with its instructions.

(3) The undersigned shall require that the language of this certification be included in the award documents of all sub-awards at all tiers (including subcontracts, sub-grants, and contracts under grants, loans, and cooperative agreements) and that all subrecipients shall certify and disclose accordingly.

This certification is a material representation of fact upon which reliance was placed when this transaction was made or entered into. Submission of this certification is a prerequisite for making or entering into this transaction imposed by section 1352, title 31, United States Code. Any person who fails to file the required certification shall be subject to a civil penalty of not less than \$10,000 and not more than \$100,000 for each such failure.

Organization: _____

Street address: _____

City, State, Zip: _____

CERTIFIED BY:(type or print) _____

TITLE: _____

_____ **(signature)** **(date)**

Drawings, Pictures and Additional Specifications

**DR-AL-4563
PA PROJECT
Location Map**

— Road Centerlines

▭ Parcels

Aerial Photo 2016

RGB

Red: Band_1

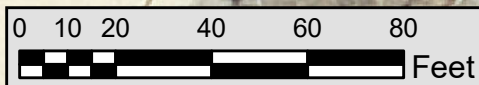
Green: Band_2

Blue: Band_3



87°54'37.6"W, 30°31'33.2"N

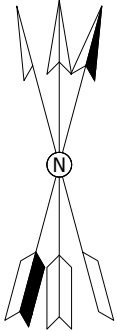
1 Beach Drive
Roof Replacemet
Request for Quotes
North Beach Pavilion



N

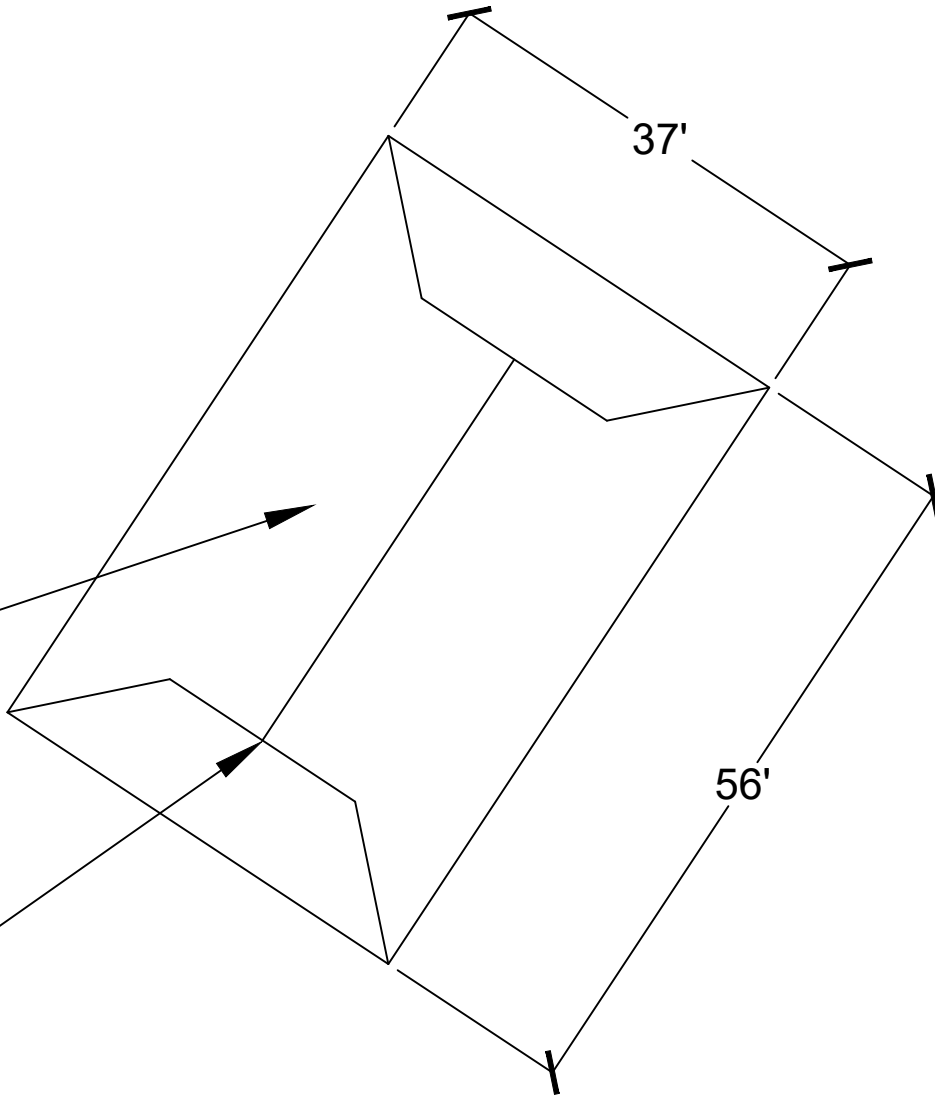


NORTH



2072 Sq. Feet
(Plan View)

Combination Gable/
Hip Roof (both ends)



NORTH BEACH PARK PAVILION
1 BEACH DRIVE
PLAN VIEW



MEMORANDUM

DATE: September 27, 2020

TO: Contractors

FROM: City of Fairhope Building Department

RE: roofing requirements (new and repairs) within the City of Fairhope Permitting Jurisdiction

The City of Fairhope has adopted the 2018 International Code Series as well as the Baldwin County High Wind Supplement for roofs. This adoption is codified in Appendix 1 of the City of Fairhope Building Code Supplement, which can be viewed at <https://www.fairhopeal.gov/home/showdocument?id=22784>

To clarify some questions we have received regarding the requirements for storm damage repairs:

All new and replacement roofs will be required to meet the requirements of the Baldwin County Roofing Supplement and sealed roof deck requirements (see attached). Further clarification is listed below:

- Roof replacement will be required if there is distributed damage throughout most or all of the roof (see photos).
- Localized damage equaling 1 Square or less of roofing material (10'x10' area) will be allowed to repair just the damage area. This will typically apply to roof damage resulting from impact to the structure from a tree or similar (see attached photos).

All roofing repairs will require a permit be issued by the Fairhope Building Department and all roofing contractors will be required to have both an Alabama Homebuilders Licensure Board Roofing license and a City of Fairhope Business license.

If you have any questions, please contact the Building Dept:
555 South Section St
Fairhope, Alabama 36532
(251) 990-0153
buildingpermits@fairhopeal.gov



Asphalt shingles shall be installed according to the manufacturer recommended listed installation instructions for High Wind areas (130 mph ASTM D7158 Class H shingle) with minimum 6 nails.

All asphalt shingle roof covering underlayment shall be of a synthetic tear resistant (20 lbs. per ASTM D1970 or ASTM D4533) polypropylene, polyester or fiberglass fabric and certified by an approved testing agency or ICC-ES report. The Building Official may approve an equal greater performing product. Roof underlayment shall be installed per Manufacturer's Installation Instructions but, shall not be fastened with staples.

Metal panel roofing systems and their attachment shall be installed in accordance with the manufactures installation instructions and shall provide uplift resistance equal to or greater than the design uplift pressure for the roof. The metal panels shall be installed over continuous decking and one of the acceptable secondary water barrier underlayment options.

2X4 or 1X4 wood purlin for attachment of metal roof coverings shall be spaced per manufacturer installation instructions but no greater than 2 foot OC. Wood purlin shall be nailed with a minimum 2 deformed (ring shank) nails penetrating into roof framing 1 ½ inch.

Roof decking shall be nailed in accordance with the engineered drawings but no greater than 4 inches OC both edge and field within the 4 foot roof edge zone and maximum 6 inches OC edge and field all other locations. Decking shall be fastened with minimum 8d full round head ring shank nails. Staples will not be permitted.

Roof decking shall be "sealed". All sheathing seams shall be taped with minimum 4 inch Peel and Stick tape or full sheet Peel and Stick meeting ASTM D1970, or spray polyurethane closed cell foam adhesive (meeting ASTM D1622) shall be applied over all joints between sheathing and along all intersections between roof sheathing and all roof framing members. Other equal or greater methods may be approved by the Building Official.

All aluminum and vinyl Soffit covering shall be attached to minimum 7/16 OSB or plywood or minimum 2 X 2 wood supports equally spaced but not greater than 12 inches OC.

Replacement of roof covering and underlayment of existing One and Two Family dwelling shall require a roofing permit from the City of Fairhope Building Department. All roof coverings and underlayment shall be removed and any roof decking attached with staples or nailing pattern exceeding minimum requirements shall be re-nailed with 8d ring shank to meet requirement. Roof deck shall be "sealed" as described above.

Provide send pictures of the following to buildingpermits@fairhopeal.gov

- Roof Deck Nail pattern
- Sealed roof deck
- Roofing underlayment

I certify that I have received a copy of this, the City of Fairhope roof requirements, and will comply with those requirements.

Contractor:

Permit #:

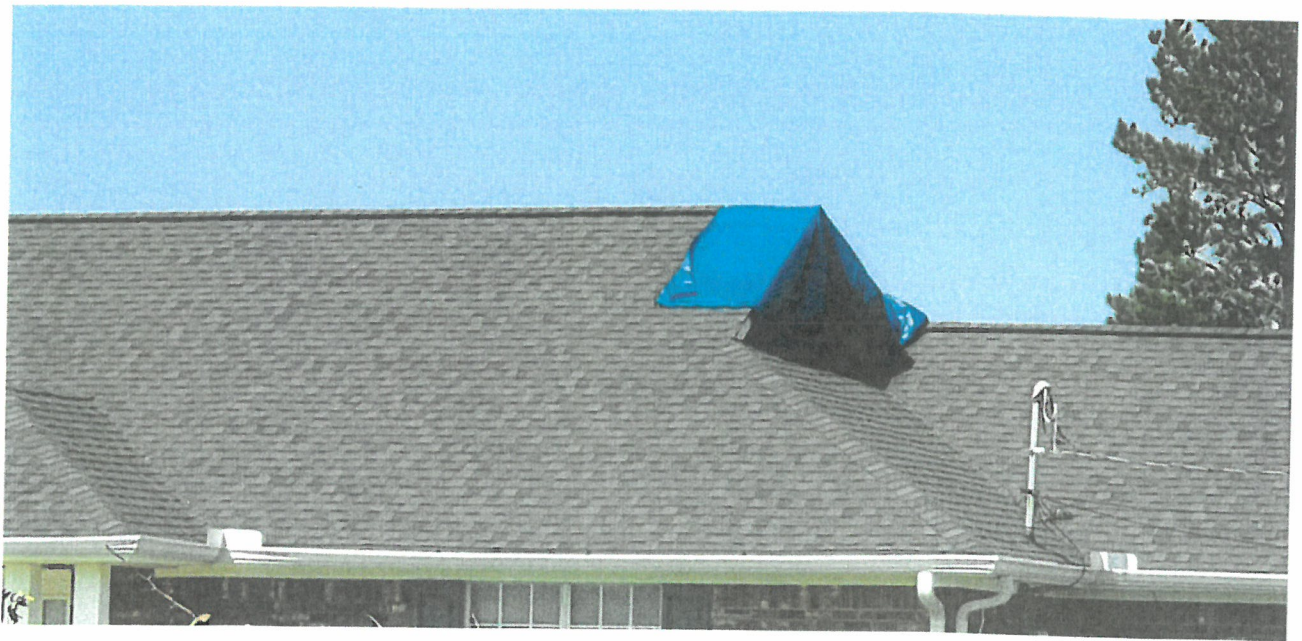


Distributed damage, will require complete re-roof and installation of sealed roof deck





Localized roof damage- may repair just area impacted



APPENDIX D

D102.2 Other specific requirements.

D102.2.1 Exterior walls. Exterior walls of buildings located in the fire district shall comply with the requirements in Table 601 except as required in Section D102.2.6.

❖ Fire-resistant separations between buildings, either by distance or barriers, as described by Table 601, protect against fire spread by radiant and convective heat transfer and, to a limited extent, from small flying brands.

D102.2.2 Group H prohibited. Group H occupancies shall be prohibited from location within the fire district.

❖ Group H-1, H-2, H-3 and H-5 hazardous occupancies are prohibited within the fire district because of the fire hazard posed by these occupancies themselves. Group H-4 occupancies are prohibited due to the inherent danger of release and contamination posed should occupancies containing highly toxic, toxic, radioactive or other health-hazard materials be exposed to fire.

D102.2.3 Construction type. Every building shall be constructed as required based on the type of construction indicated in Chapter 6.

❖ This section reinforces the need for new buildings to be constructed as required based on height and area and type of construction considerations in the body of the code.

D102.2.4 Roof covering. Roof covering in the fire district shall conform to the requirements of Class A or B roof coverings as defined in Section 1505.

❖ Class C and wood-shake shingle roofs are prohibited within the fire district due to the danger of fire spread and involvement through production of or exposure to burning brands.

D102.2.5 Structural fire rating. Walls, floors, roofs and their supporting structural members shall be not less than 1-hour fire-resistance-rated construction.

Exceptions:

1. Buildings of Type IV construction.

